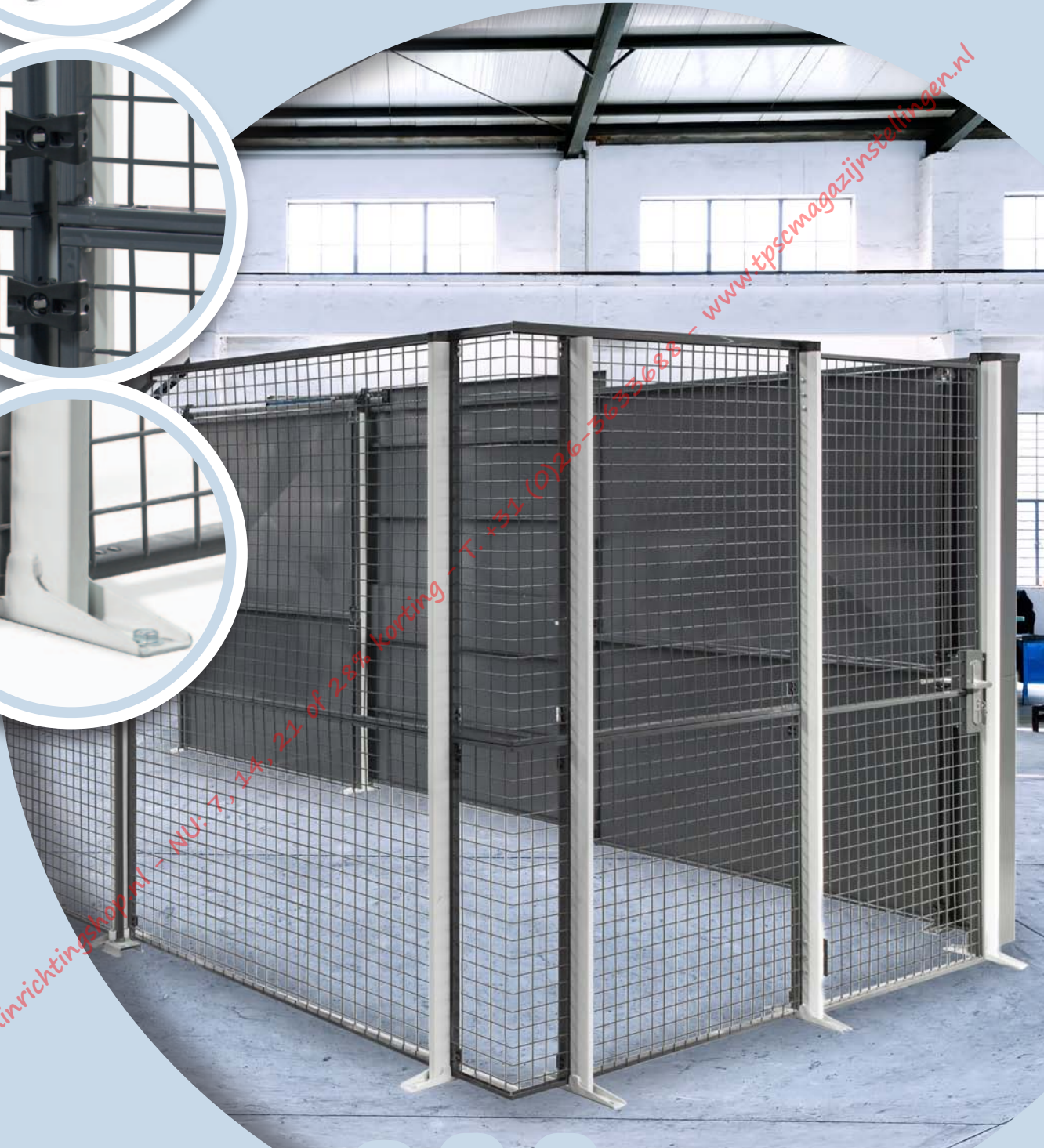


MANORGA

THE PERMANENT INNOVATION



www.magazijnrichtingen.nl - tel. 7, 44, 22 of 20% korting - T. +31 (0)26-3637688 - www.tpsmagazijnstellingen.nl

Industrial partition wall



... a multi-purpose INDUSTRIAL PARTITION WALL



Protects goods

from theft and damage.



Enclose & Seperate

storage areas and work stations.



Organises

production areas.



Protects employees

Creates safe areas.

www.magazijnrichtingshop.nl - NU: 7, 14, 21 of 28% korting - T. +31 (0)26-36...
www.tpscmagazijnstellingen.nl

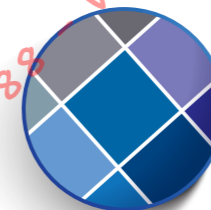


... the ULTIMATE PARTITION WALL



Quick and easy to install

The panels lock directly onto the uprights as they are assembled. No special tools required for assembly.



Stylish colour range

You can choose a colour scheme to match your company's design an environment.
Standard colours : panels in anthracite RAL 7024 and uprights in pearl grey RAL 7035



Grows with your company

because this self-supporting system is fully modular. For example, the panels are interchangeable or can be replaced by a mesh door without having to dismantle the overall structure.

A wide range of sizes and a large selection of upright and door finishes are also available in the catalogue.



New connection system

The innovative new connection system makes assembly easy and ensures that the paritionwalls cannot be disassembled from the outside.

Panel assembly is quick and easy log out unique clamping system.



Made in Europe

In accordance with human and environmental values. Fast delivery with a departure 24h dispatch option.

www.magazijninrichtingshop.nl - NU: 7, 14, 21 of 28% korting - T. +31 (0)26-3633688 www.tpscmagazijnstellingen.nl



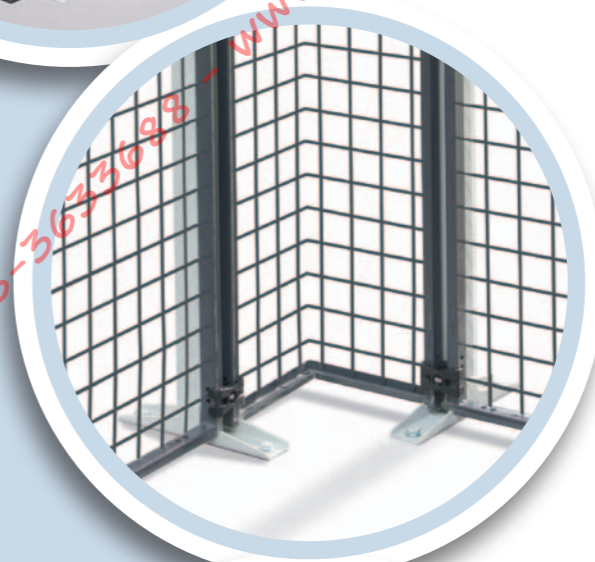
... a multi-solution Industrial partition wall with many components and accessories

www.magazijnrichtingshop.nl - NU: 7, 14, 21 of 28% korting - T. +31 (0)26-3633698 - www.tpscmagazijnstellingen.nl



Panels

- Mesh panel 50 x 50 x 3.5 mm
- Steel sheet panel
- Polycarbonate panel



Uprights and fixing plates

Profiled with a floor fixing plate and a unique locking system for quick and easy attachment of panels.



Numerous accessories

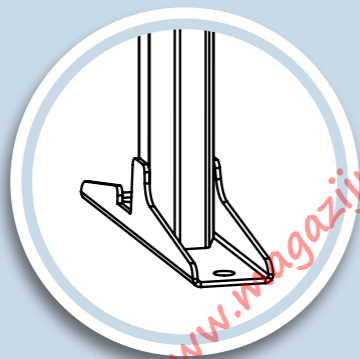
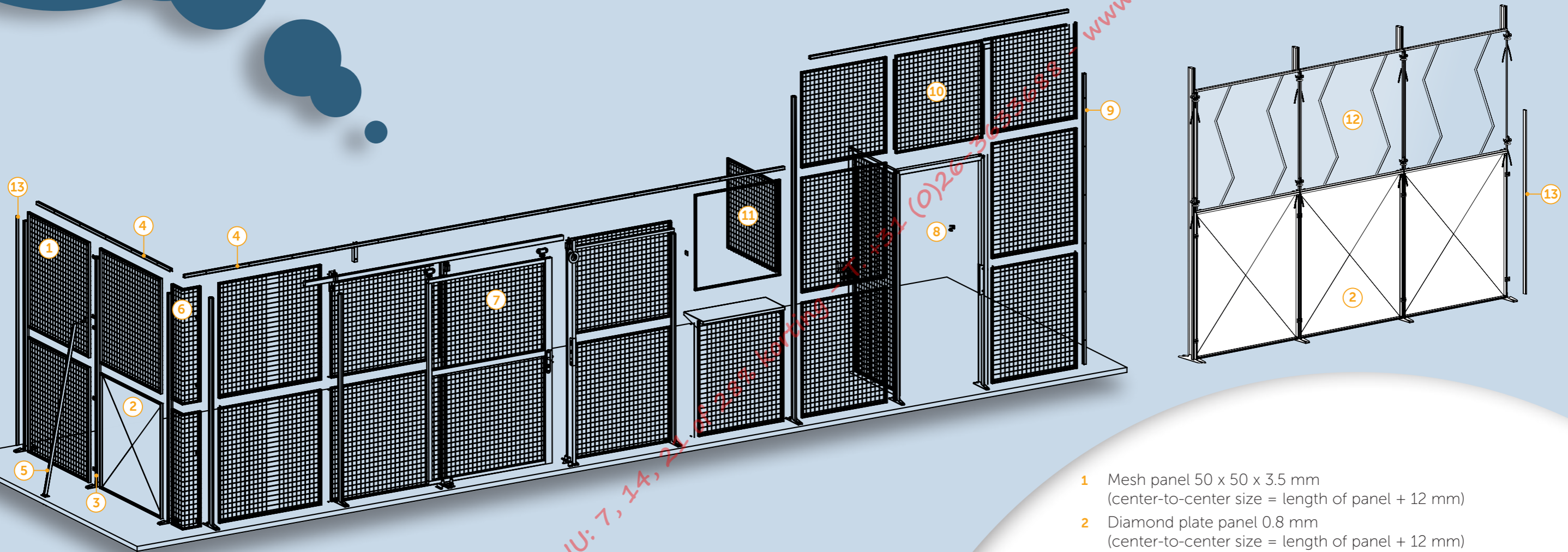
- Service hatches
- Top panels
- Starting bay fixings and wall finishes
- Mesh roofs
- Mesh or steel sheet corner panels.





Doors

- Hinged leaf or sliding, single or double, lock as standard with 3 keys.
- The steel sheet hinged leaf door is available with panic bar locking system.

Technical information



Standard colours :

-  Panels and door RAL 7024
-  Uprights RAL 7035

- 1 Mesh panel 50 x 50 x 3.5 mm
(center-to-center size = length of panel + 12 mm)
 - 2 Diamond plate panel 0.8 mm
(center-to-center size = length of panel + 12 mm)
 - 3 Bottle shape profiled upright with floor fixing plate
 - 4 "U" profile 31 x 30 x 1.5 mm
 - 5 Stabiliser
 - 6 Corner panel
 - 7 Sliding mesh door (also available in a teardrop sheeting version and in a semi-mesh version)
 - 8 Hinged leaf mesh door with lock as standard with 3 keys
(also available in a diamond plate version and in a semi-mesh version)
 - 9 "U" profile wall fixing
 - 10 Mesh top panel
 - 11 Service hatch
 - 12 Plexiglass panel
 - 13 Finishing tube 25 x 15 mm for cut panels
- Mesh roof
Diamond plate hinged leaf door, 8 mm, panic bar
Modular hinged leaf mesh door



Technical information

Panels

(dimension in mm)

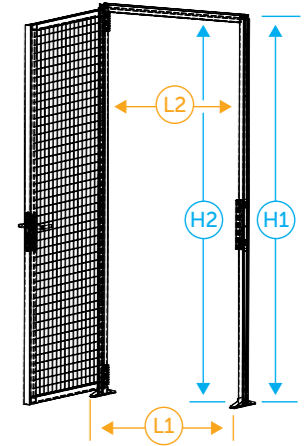
Dimension	500	750	1000	1200	1500
Center-to-center length	512	762	1012	1212	1512

! Center-to-center size = length of panel + 12 mm

Single hinged leaf door

(dimension in mm)

H	2200	2400	3000
H1	2193	2393	2993
H2	2148	2348	2948
L	1000	1200	1500
L1	982	1182	1482
L2	960	1160	1460

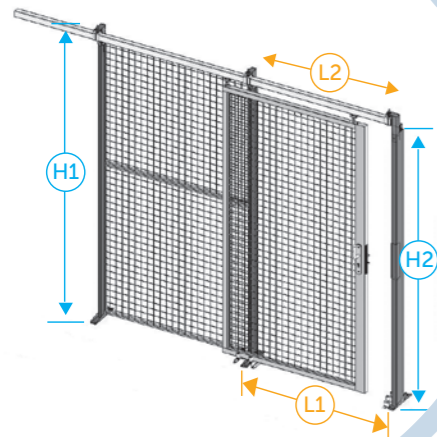


Single sliding door

(dimension in mm)

H	2200	2400	3000			
H1	2350	2550	3150			
H2	2240	2440	3040			
L	1000	1200	1500	2000	2400	3000
L1	925	1125	1425	1820	2220	2820
L2	870	1070	1370	1765	2165	2765

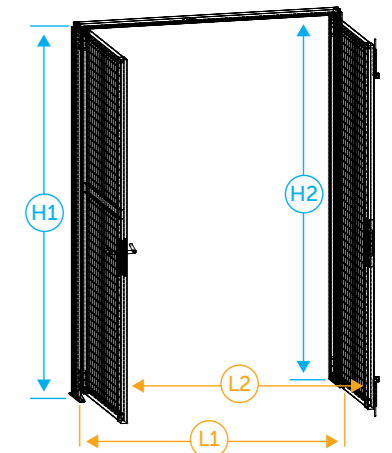
The ground-tracking sprung castors allow for floor unevenness of up to 3 mm per linear meter.



Double hinged leaf door

(dimension in mm)

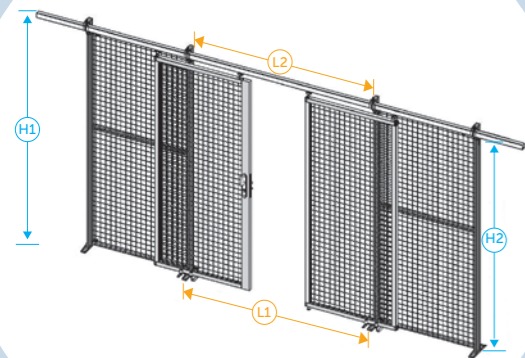
H	2200	2400	3000
H1	2193	2393	2993
H2	2148	2348	2948
L	2000	2400	1500
L1	1929	2329	2929
L2	1882	2282	2882



Double sliding door

(dimension in mm)

H	2200	2400	3000
H1	2350	2550	3150
H2	2240	2440	3040
L	2000	2400	3000
L1	1825	2225	2825
L2	1725	2125	2725

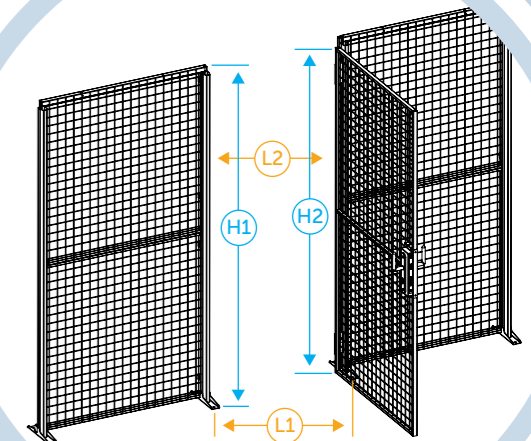


Modular hinged leaf mesh door

(dimension in mm)

H	2200	2400	3000
H1	2196	2396	2996
H2	2173	2373	2973
L	1000	1200	1500
L1	1000	1200	1500
L2	774	974	1274

The modular hinged leaf door hinges directly onto the existing uprights without disassembling the system already installed.



www.magnifyinrichtingshop.nl - NU: 7, 14, 21 of 28% korting - T: 31 (0)26-3633688 - www.tpscmagnifyinstellingen.nl

Industrial partition wall

Protects good • Demarcates • Organises • Protects employees

Quick and easy to install

Stylish colour range

Grows with your company

Made in Europe



www.magazijninrichtingshop.nl - NU: 7, 14, 21 of 28% korting - T: +31 (0)26-3633688 - www.tpscmagazijnstellingen.nl

MANORGA

THE PERMANENT INNOVATION